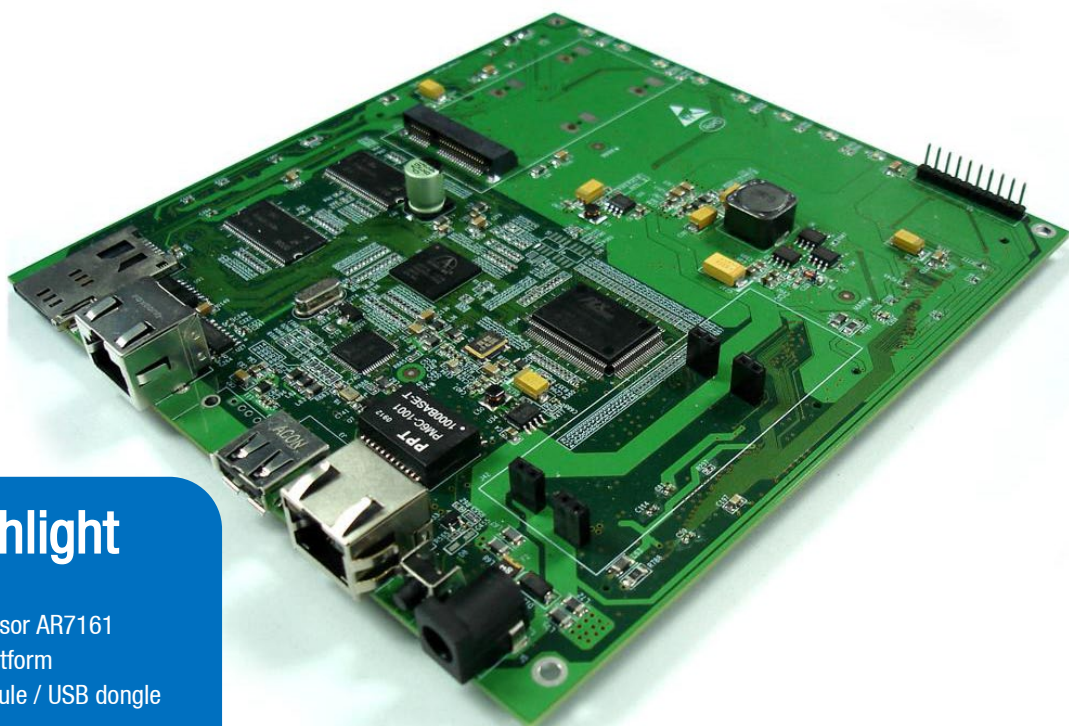


# Flexmax

## WiMAX WLAN Gigabit Router with PoE



### Product

### Highlight

- Atheros® Wireless Network Processor AR7161
- Full Featured WiMAX and WLAN platform
- Support WiMAX Half mini PCIe module / USB dongle
- 4 MiniPCI connectors for WiFi
- Gigabit WAN for high speed wired communication
- Enhanced Power over Ethernet (PoE) module for Gigabit Ethernet (GE)

### Product

### Overview

Flexmax is a full-featured wireless router / access point platform, based on Atheros Wireless Network Processor AR7161 with up to 680MHz core frequency, exclusively designed and optimized for WiMax and WLAN applications. Flexmax can be applied as enterprise networking infrastructure products for broadband service providers or high-performance networking devices for SME/SOHO/individuals.

The Flexmax supports WiMAX 2.5GHz module and offers 3 mode wired communication GE (Gigabit Ethernet) , FE (Fast Ethernet) and Ethernet. Both WIMAX USB dongle and WIMAX mini PCIe / half mini PCIe card are supported. Power Over Ethernet (POE) module is available in this platform to support GE POE applications.

In addition to the Flexmax, this platform is optimized for WLAN applications and offers a high performance solution that can be designed for mass market adoption. It has 4 mini PCI slots and supports 802.11a/b/g and draft 802.11n wireless modules. It can offer dual-band wireless access. For example, high definition video streaming via the 5GHz radio while enabling users to continue using email, VoIP functionality and etcetera via the 2.4GHz radio.

Designed with a modular concept, Flexmax has customizable expansion options to fit any application needs.



WiMax Half Mini PCIe module

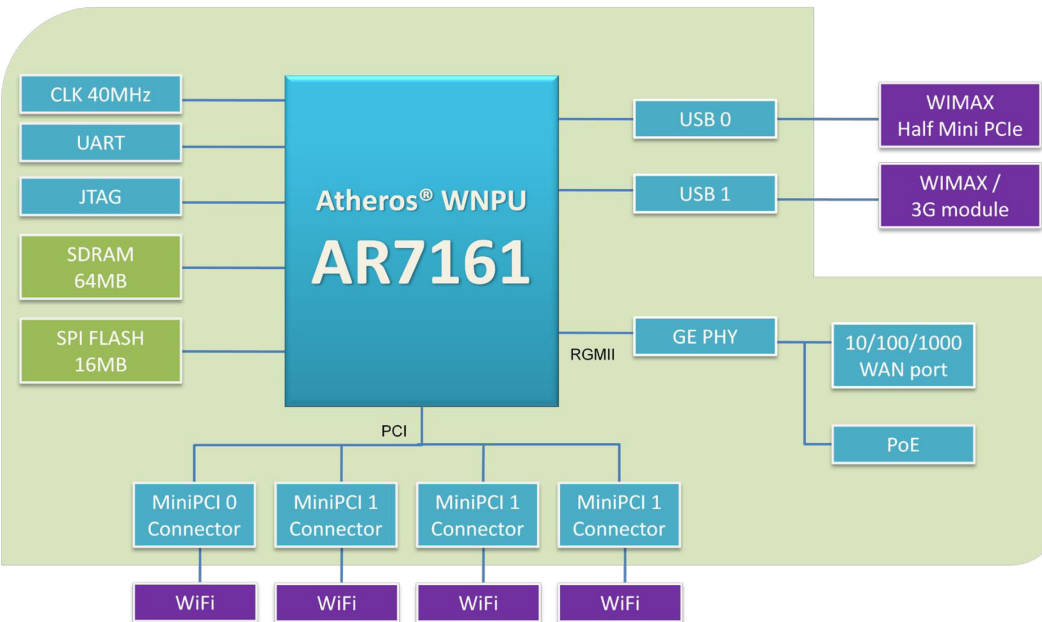


Power over Ethernet (PoE) module

## Modules for FlexWimax

### Block

### Diagram



### Hardware

### Features

Feature	Description
Network Processor	Atheros® Wireless Network Processor AR7161 at 680 MHz (optional 400MHz / 300MHz)
Memory	64MB DDR on board (optional 128MB MAX)
Flash	16MB SPI NOR FLASH (optional 4MB / 8MB)
WiMAX	2.5GHz Half Mini PCIe 2.5GHz USB dongle (optional)
3G	3G USB dongle (optional)
Wireless	4 x miniPCI type III slot (32-bit, 33MHz) 802.11a/b/g/n via miniPCI (optional)
WAN	1 x 10/100/1000Mbps Ethernet RJ45 port with POE Supporting IEEE802.3af standard
Other ports and interfaces	Support HSS 1 x USB 2.0 high speed port supporting OTG 1 x RS-232 console DB9 port
Power Supply	PoE (25W Input, 802.3af) DC 5V Power Supply
Debug Support	1 x JTAG Header
PCB Dimension	162mm x 150mm

### Contact Information

#### Flexcomm Limited (HQ)

Flat 204-205, 2/F Laford Center,  
838 Lai Chi Kok Road, Cheung Sha Wan,  
Kowloon, Hong Kong.  
Tel: +(852)-2303-0711  
Fax: +(852)-2317-7522

#### Shenzhen (China) Branch

Flexcomm Technology (Shenzhen) Limited  
13<sup>th</sup> Floor, SangDa Science and  
Technology Building.  
No 1 Keji Road, Hi-tech Industrial Park,  
Nanshan District, Shenzhen 518057 P.R.  
China.  
Postal Code: 518057  
Tel: +(86)-755-8631-6396 / 8631-6325  
Fax: +(86)-755-8631-6324

#### Malaysia Branch

Technollis Sdn. Bhd.  
Suite 139, USAINS Holding Sdn. Bhd.  
Kompleks Eureka,  
Minden USM Sg. Dua, 11800, Penang.  
Malaysia.  
Tel: +(60)-4-655-1733  
Fax: +(60)-4-656-1733

#### USA Representative

ASTI (USA) Inc.  
46734, Fremont Boulevard, Fremont,  
CA 94538, USA  
Tel: +(1)-510-657-7619  
Fax: +(1)-510-657-8651



Product specifications, size and shape are subject to change without notice, and actual product appearance may differ from that depicted herein.

