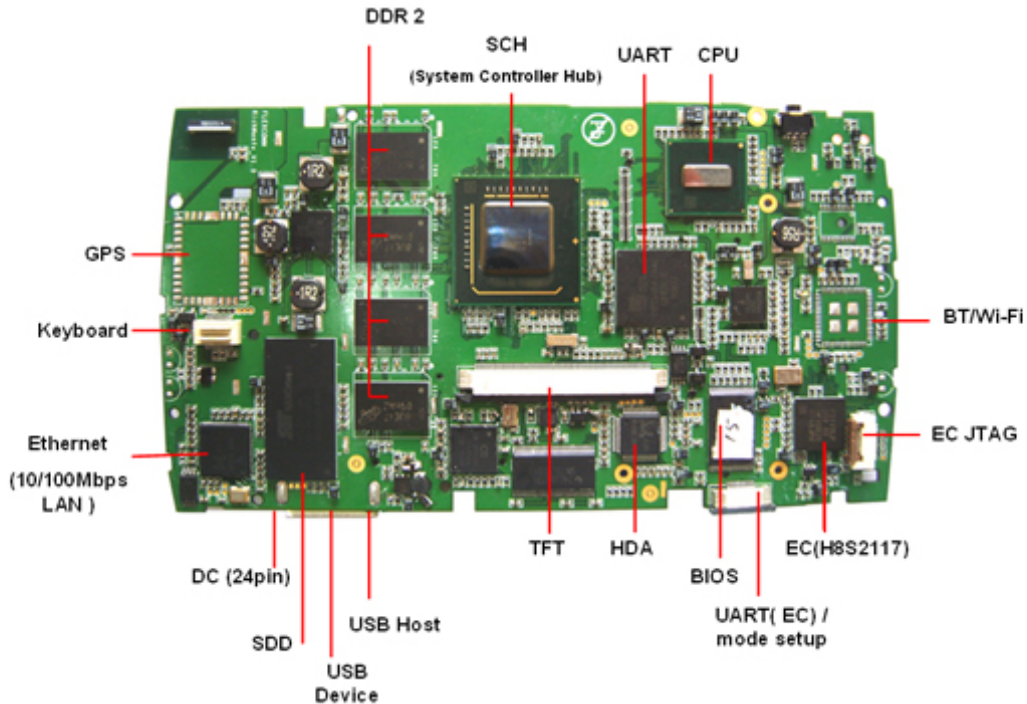


## Flexcomm RichMonte Platform

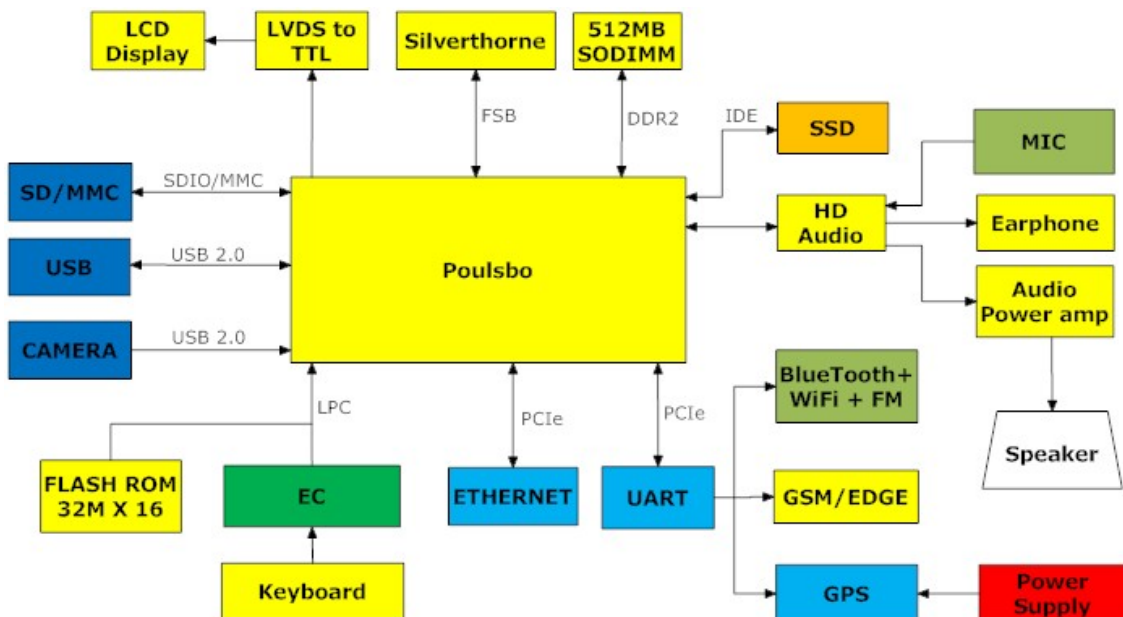


### Product Overview

RichMonte platform is a versatile High Density Interconnect (HDI) core board designed to have high flexibility, mobility, and functionality. It is a **Small Form Factor** and **Low Power** embedded platform with highly integrated based on Intel Embedded Menlow Z5xx solution. RichMonte platform supports different applications with extension board and promotes **fast time to market** for various application needs. It is performance and power optimized with fanless design feature. RichMonte platform extend the benefit of Intel Architecture scalability to thermal constraint, small form factor and industrial temperature application, such as **Digital Signage**, **Digital Surveillance System (DSS)**, **In-Vehicle Infotainment System**, **Low Cost Mobile-PC Platform**, **Video Conferencing System**, **portable Point of Sale (POS)**, and **Mobile Internet Devices (MID)**. In addition, RichMonte Menlow Platform is easy to transform to an independent application device.

The extension board of RichMonte Platform empowers functions and features through board to board (B2B) to work with the RichMonte Core board for rich and various specified applications. The extension board can be specially customized to meet variety of embedded applications depending on end customers' requirements.

### Block Diagram



## Product Highlight

- Fanless
- Small Form Factor
- Ultra low power (TDP< 500)
- Extensive communications and I/O including USB 2.0 ports, analog and digital I/O, serial ports, PCI-Express for high speed I/O
- Fast time to market
- Flexibility to customize for various embedded applications
- Product is compliant with FCC, CE and RoHS

## Hardware Features

Features	Description
CPU	Intel Atom processor Z5xx 1.6 GHz
Memory	512MB DDR2
Embedded Controller	Renesas H8S/2117
Storage	8GB SSD (Optional)
Display	4.3" – 12.1" LCD with Touch Panel
Video Output	VGA / RGB
Ethernet	10/100Mb FE LAN port RJ45
USB	1 x USB Host 2.0 1 x USB Device 2.0
Wireless	Wi-Fi 802.11 b/g/n GSM/GPRS (850/1900, 900/1800 Mhz) (Extension board) SIRF Star III GPS (optional) Bluetooth 2.0 with EDR
Camera	2.0 Mega pixel
Connector	1 x PCIe 1 x UART 5 x USB
Power	DC 3.3V – 4.2V MAX 3A
Battery	Lithium 2200 mAh
Board Size	68 x 128 mm

### Flexcomm Limited Contact Information

#### HongKong (HQ):

Flat 204-205, 2/F, Laford Centre, 838 Lai Chi Kok Road, Cheung Sha Wan, Kowloon, Hong Kong.  
Tel (852) 2303 0711 • Fax (852) 2317 7522

#### Shenzhen (China) Branch:

13th Floor, SangDa Science and Technology Building, No.1 KeJi Road, Hi-tech Industrial Park, Nanshan District, Shenzhen 518057 P.R. China.

#### Malaysia Branch:

Tel (86) 755 - 8631 6382 / 8631 6396 • Fax (86) 755 8631 6324  
Suite 139, USAINS Holdings Sdn. Bhd. Kompleks Eureka, Minden USM, Sungai Dua, 11800 Penang, Malaysia.  
Tel (604) 655 1733 • Fax (604) 656 1733

#### USA Representative:

ASTI (USA) Inc.  
46734, Fremont Boulevard, Fremont, CA 94538, USA  
Tel: (1)-510-657-7619 • Fax: (1)-510-657-8651