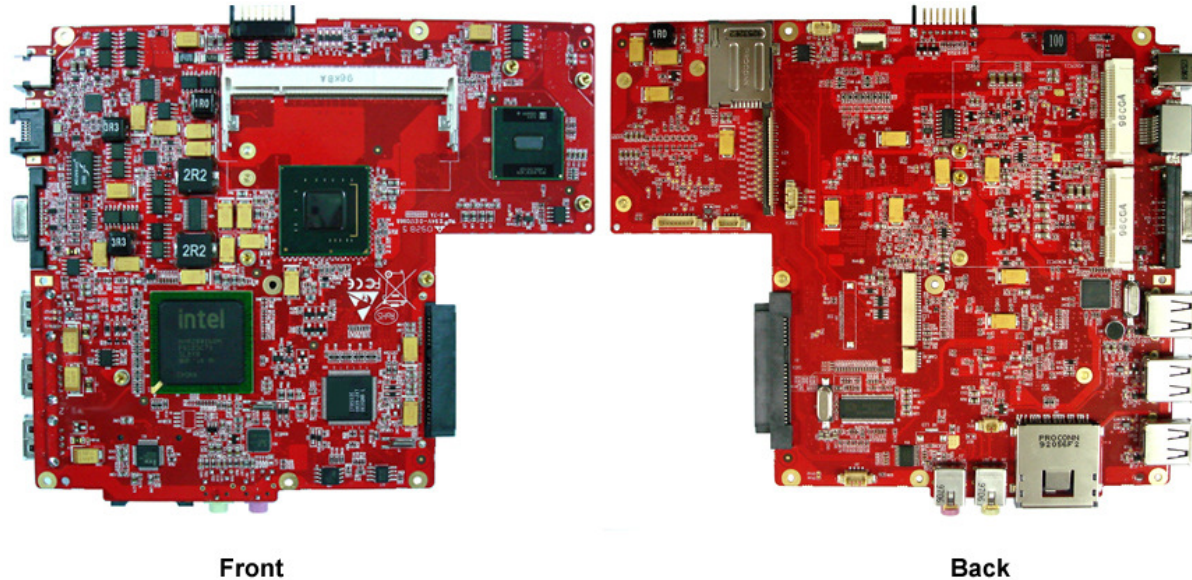


Flexcomm SaltRiver Product Brief



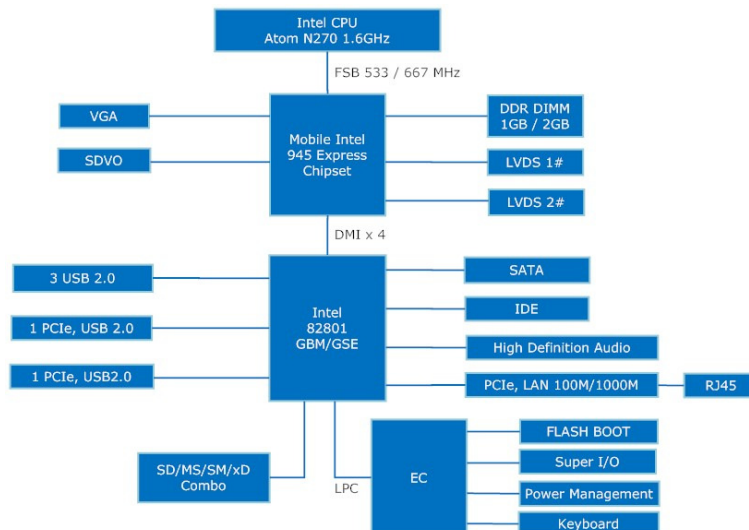
Product Overview

Flexcomm SaltRiver is a feature rich PCBA powered by Intel Atom N270 and ready to integrate with other parts or components to be manufactured as an end product. This PCBA is cost-optimized and delivers robust performance-per-watt for cost-effective solutions. It is validated with the Mobile Intel 945GSE Express chipset, and consisting of the Intel 82801GBM (ICH-7-M). This PCBA provides rich I/O capabilities and flexibility via high-bandwidth interfaces such as PCI-E, SATA, and Hi-Speed USB 2.0 connectivity. It also includes a single channel for 667 MHz DDR2 system memory, and high definition audio and video system.

Flexcomm SaltRiver comes with strategic industrial design and integration while providing cost-effective solutions. Making less or minimum design time to meet customers' marketing strategies with our strength and experience in embedded system industries.

Flexcomm SaltRiver is FCC, CE, and RoHS compliant. Flexcomm would like to support customer development to expedite customized design and to maximum customers' benefit.

Block Diagram



Product Highlight

- Netbook / Ultra Portable WiFi/3G Computer PCBA solution ready
- Intel Atom processor N270 at 1.6GHz core speed with 533 MHz AGTL+ FSB and 2.5 watts thermal design power (TDP)
- Hyper-Threading Technology provides high performance-per-watt efficiency
- Enhanced Intel SpeedStep Technology reduces average system power consumption
- Ready for end product integration.
- Allow Custom make based on customers' request.
- FCC, CE, and RoHS compliant.

Hardware Features

Features	Description	
CPU	Model	Intel Atom N270
	FSB	533MHz
	Frequency	1.6G dual core
Chipset	Model	Intel 945 GSE
RAM	Model	DDRII
	Size	1G/2G
Storage	Connector Type	SATA/ IDE
	Size	2.5 inch
	Storage capacity	120GB, 160GB
OS	Support Windows XP, Linux (Vista not supported)	
LCD Dual Channels LVDS	LCD Size	8.9 / 10.1 / 10.2 /11.6 / 12.1
	Resolution	1024X576 (600) , 1600X1200
Audio	Channel	2.1
	Speaker	2 Max 2.5W/8 ohm
	MIC IN	1 (on board)
	Volume OUT	1
LAN	Type	100M, 1000M Gigabit Ethernet
	Connector	RJ45
WLAN	Mini PCIe	2
	Antennas	2
	WiFi	802.11a/b/g/n
	3G	TD/CDMA
Keyboard	Type	US or others 85 Keys
	Model	BYD or other compatible, 6105, DDKing, KB005, BYD
Touchpad	Synaptics TM-00450-001, QTC TCH01	
Bluetooth	Optional	
Card Reader	SD / MMC / MS / MS pro	
Camera	1.3 Megapixel	
Amplifier	8 ohm 1W (pair)	
Battery	Capacity	11.1V / 2200mAH
	Connector	7 PIN
Power	AC	110 ~ 240V
	DC	12 – 20V < 65W
External Connector	DC-IN	1
	USB 2.0	3
	VGA	1
	MIC-IN	1
	Audio Out	1
	Card Reader	1
	Battery COMM	1
	SIM Card	1
RJ45	1	
Internal Connector	Keyboard	24 PIN
	DDRII	1
	LVDS	1
	TP	1
	Speaker	2
	RTC	1
PCIe	2	
LED Indicator	Power / Suspend, Battery, Battery Charge, HDD, Caps Lock, Num Lock, Wireless LAN status (allow custom make)	

Function Key	Touch pad ON/OFF	Fn + F4
	WiFi ON/OFF	Fn + F1
	Mute	Fn + F3
	Brightness UP	Fn + F7
	Brightness Down	Fn + F6
	LCD / VGA switch	Fn + F5
	Volume UP	Fn + F9
	Volume Down	Fn + F8
	Backlight ON/OFF	Fn + F10
	Standby	Fn + ESC
	Bluetooth ON/OFF	Fn + F2
Boot up Logo	Custom make	
Battery Information	Custom make	
Board Information	Custom make	

Flexcomm Limited Contact Information

Hong Kong (HQ):

Flat 204-205, 2/F, Laford Centre, 838 Lai Chi Kok Road, Cheung Sha Wan, Kowloon, Hong Kong.
Tel (852) 2303 0711 • Fax (852) 2317 7522

Shenzhen (China) Branch:

13th Floor, SangDa Science and Technology Building, No.1 KeJi Road, Hi-tech Industrial Park, Nanshan District, Shenzhen 518057 P.R. China.

Tel (86) 755 - 8631 6382 / 8631 6396 • Fax (86) 755 8631 6324

Malaysia Branch:

Suite 139, USAINS Holdings Sdn. Bhd. Kompleks Eureka, Minden USM, Sungai Dua, 11800 Penang, Malaysia.

Tel (604) 655 1733 • Fax (604) 656 1733

USA Representative:

ASTI (USA) Inc.

46734, Fremont Boulevard, Fremont, CA 94538, USA

Tel: (1)-510-657-7619 • Fax: (1)-510-657-8651

Webpage: www.flexcomm.com.cn **Email:** sales@flexcomm.com.cn