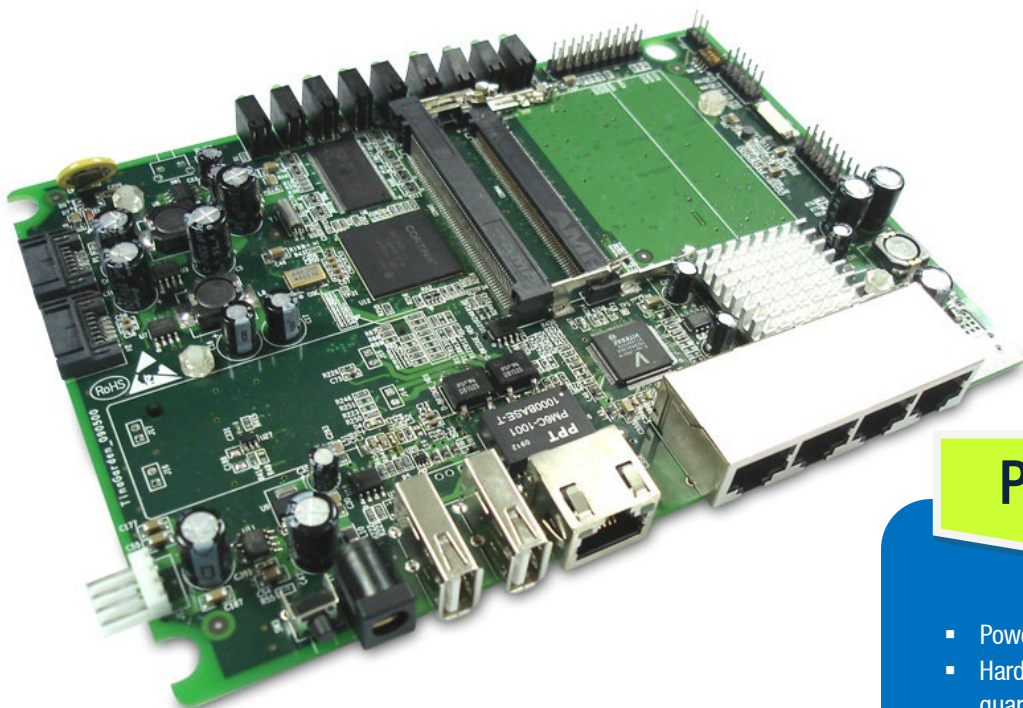


TinaGarden

Wireless Gigabit Router with BitTorrent Download



Product

Highlight

- Powered with Cortina CS3512 processor
- Hardware NAT combined with Gigabit Ethernet (GE) guarantee the TRUE Gigabit packet forwarding
- IEEE 802.11n wireless LAN up to 300Mbps data rate
- Power over Ethernet (PoE) / PoE Plus supported
- Support Multimedia services – Video conferencing and Network-attached Storage (NAS)

Product

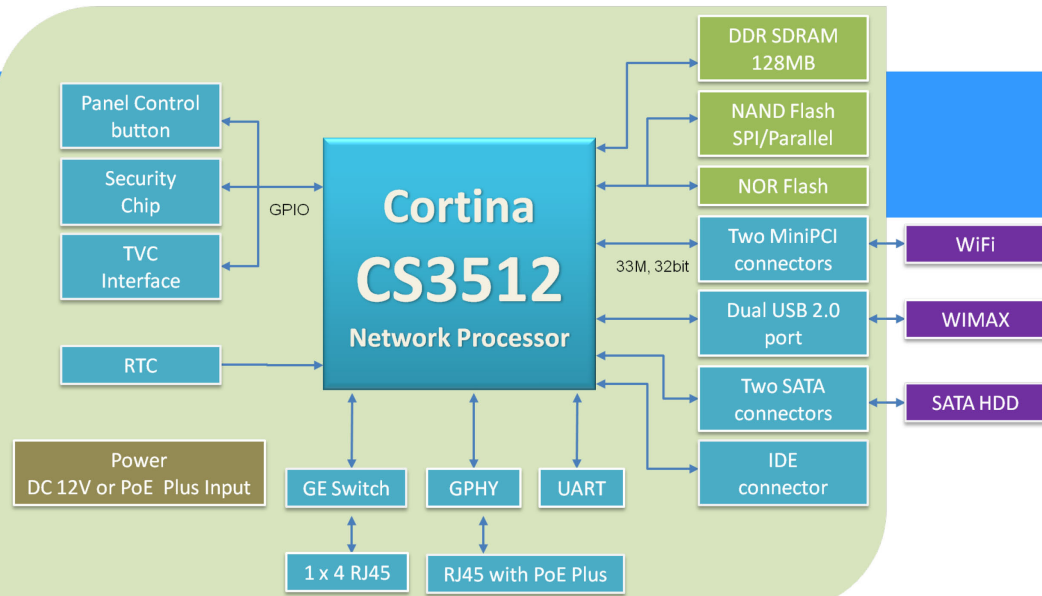
Overview

TinaGarden is a Wireless Gigabit Router with BitTorrent (BT) download function for SOHO/SME market. It is based on Cortina CS3512 Network Processor with up to 300MHz core frequency. TinaGarden supports 1 GE (Gigabit Ethernet) WAN and 4 GE LAN. With miniPCI slot which allows the latest IEEE 802.11n WLAN access via 802.11n WiFi plugin module, the wireless transmitting rate is enhanced observably; especially, when we lead in PoE/PoE Plus module in this platform. It can support GE POE application and be a much ore attractive and integrated gateway platform with the applications of these two technologies.

TinaGarden provides 2 SATA interfaces and 2 USB 2.0 OTG (On-The-Go) ports, which enable connection up to 4 storage devices including the internal HDD and external USB HDD or USB Flash. Users can easily download the multimedia contents from the website though http, ftp, and bit torrent (BT). Meanwhile, TinaGarden can also be regarded as file/streaming server to provide high capacity data backup and HD home entertainment.

As a mass production ready product, customers can adopt TinaGarden directly as their end product. Furthermore, abundant interfaces will help the customer to extend their own functions without any engineering cost.

Flexcomm would like to support customer development to expedite customized design and to maximum customers' benefits.



Contact Information

Flexcomm Limited (HQ)
 Flat 204-205, 2/F Laford Center,
 838 Lai Chi Kok Road, Cheung Sha Wan,
 Kowloon, Hong Kong.
 Tel: +(852)-2303-0711
 Fax: +(852)-2317-7522

Shenzhen (China) Branch
 Flexcomm Technology (Shenzhen) Limited
 13th Floor, SangDa Science and
 Technology Building.
 No 1 Keji Road, Hi-tech Industrial Park,
 Nanshan District, Shenzhen 518057 P.R.
 China.
 Postal Code: 518057
 Tel: +(86)-755-8631-6396 / 8631-6325
 Fax: +(86)-755-8631-6324

Malaysia Branch
 Technollis Sdn. Bhd.
 Suite 139, USAINS Holding Sdn. Bhd.
 Kompleks Eureka,
 Minden USM Sg. Dua, 11800, Penang,
 Malaysia.
 Tel: +(60)-4-655-1733
 Fax: +(60)-4-656-1733

USA Representative
 ASTI (USA) Inc.
 46734, Fremont Boulevard, Fremont,
 CA 94538, USA
 Tel: +(1)-510-657-7619
 Fax: +(1)-510-657-8651

Hardware

Features

Feature	Description
Network Processor	Cortina CS3512, 300MHz, 32-bit RISC processor
Switch Controller	VSC7395 GE SWITCH CHIP
Memory	64/128/256MB DDR SDRAM
NOR Flash	8/16MB NOR Flash (32MB optional)
NAND Flash	128/256/512MB NAND Flash (1GB or above optional)
WLAN	IEEE 802.11a/b/g/n via mini PCI (optional)
WIMAX	IEEE 802.16e Wave 2 WIMAX via USB upright connector
USB	2 x Full speed USB 2.0
LAN	4 x 10/100/1000 Ethernet LAN port
WAN	1 x 10/100/1000 Ethernet WAN port
MiniPCI	2 x Type III A miniPCI slot
SATA	2 x SATA connectors
RTC	1 x RTC
LED Indicators	LAN/WAN Link/Activity indicators
	Wireless Link/Activity indicators
	SATA/IDE busy/idle indicators
	Power-on indicator
Crypto	1 x Crypto IC
Panel Button	Up/Down/Left/Right/Enter keys
HW Reset	1 x hardware reset
Factory Reset	1 x factory reset
Power Jack	DC +12V@2A
PoE	Draft 802.3at PoE plus (24W) via WAN
Console	1 x RS232 Pin Header
Debug Support	1 x JTAG Header
Dimension	175mm x 123mm x 35mm

Software

Features

OS/BSP	Static Routing	Intrusion detection
Redboot	Routing table control	DDoS defense
Linux Kernel 2.6.15	WAN-LAN transparent bridging	NAS and BitTorrent download
JFFS2 Root File System	WiFi to Wired LAN bridging	FTP/HTTP/DHCP/NFS/UPnP/Samba server
NAND Flash driver	802.11n AP and Ad-Hoc client	TFTP/DHCP/DDNS client
Boot from NAND Flash	Software / Hardware NAT	XFS, NTFS, EXT2, EXT3, and FAT32 File Systems
Start Kernel from Hard Drive	RFC 3022 NAT-NAPT	Bit Torrent download
Router and Firewall	802.1q VLAN	Web browser / Remote management
PPPoE	802.1p QoS	Save/Restore configuration files
NTP	WPA/WPA-PSK/WPA2-PSK	Factory setting restore reset
MAC cloning	Stateful Packet Inspection	Firmware remote upgrade
64/128bit WEP	802.1X MAC address Auth.	Device discovery
Static NAT/NAPT	PPTP/IPSec/L2TP pass-through	
	QoS attack prevention	



Product specifications, size and shape are subject to change without notice, and actual product appearance may differ from that depicted herein.

